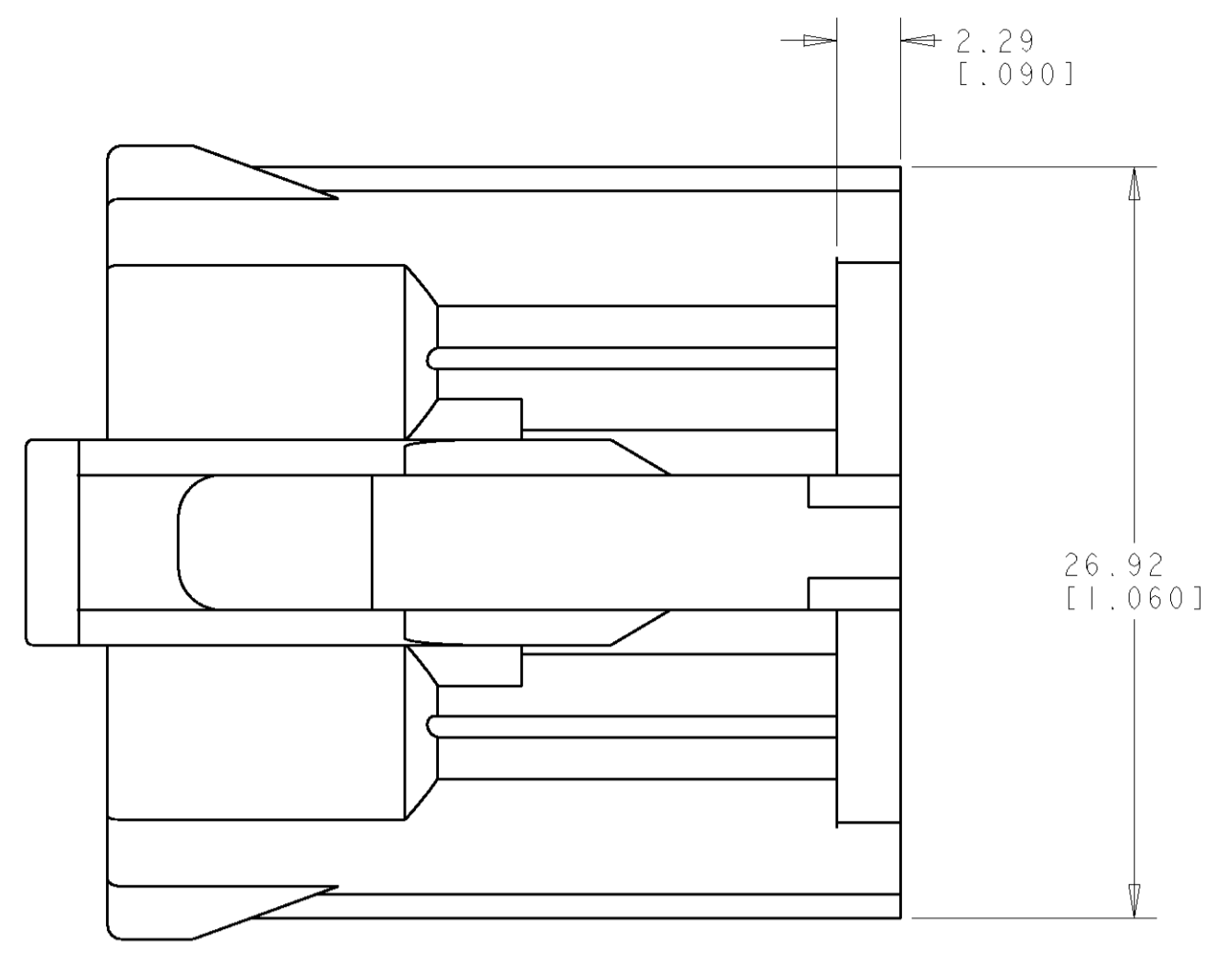
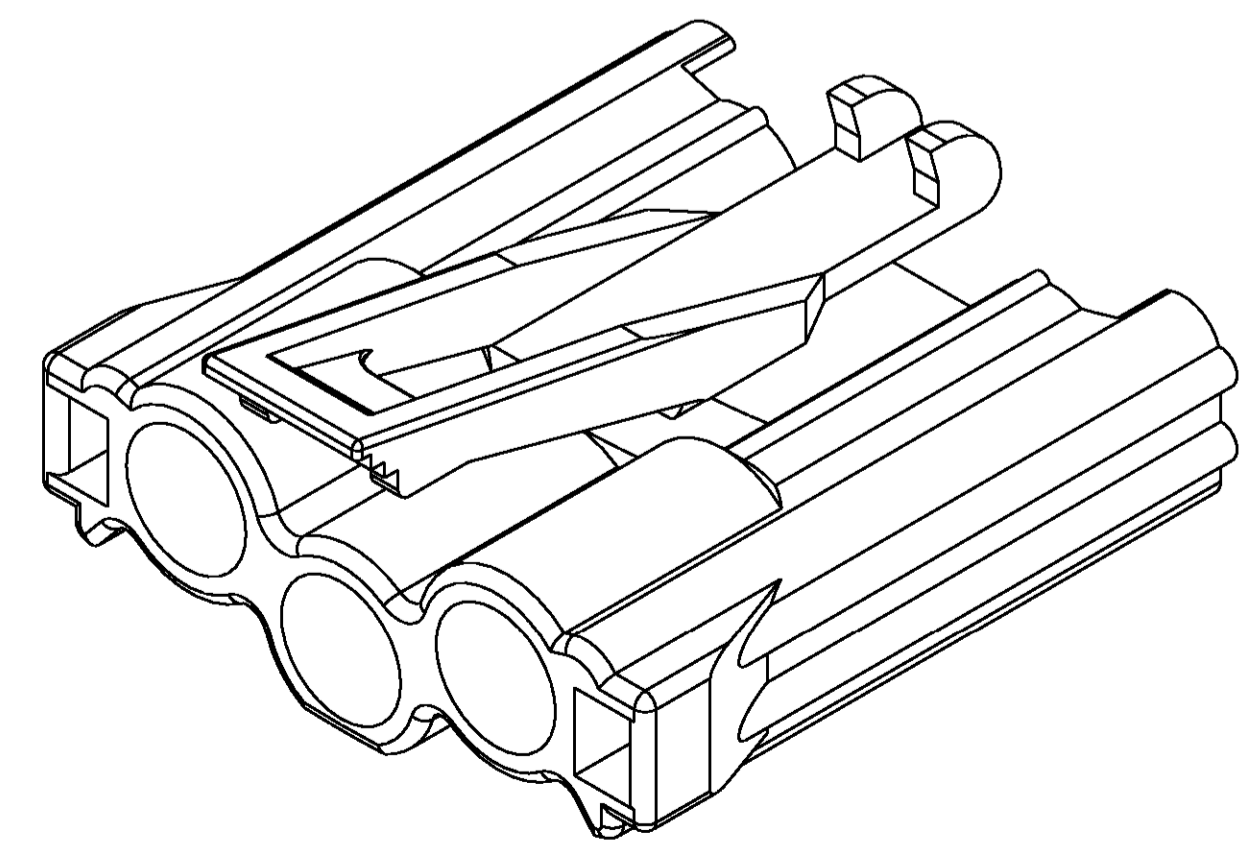
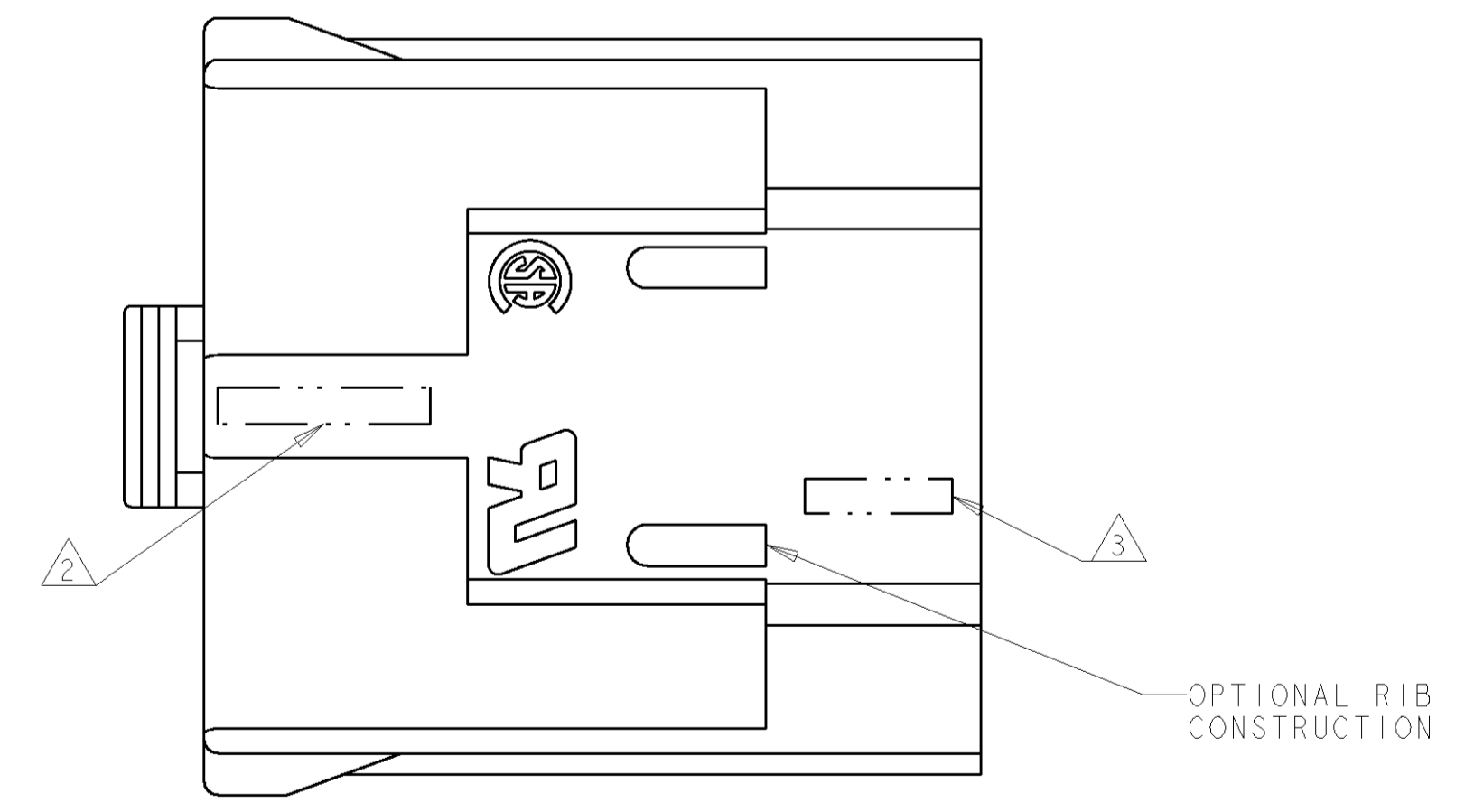
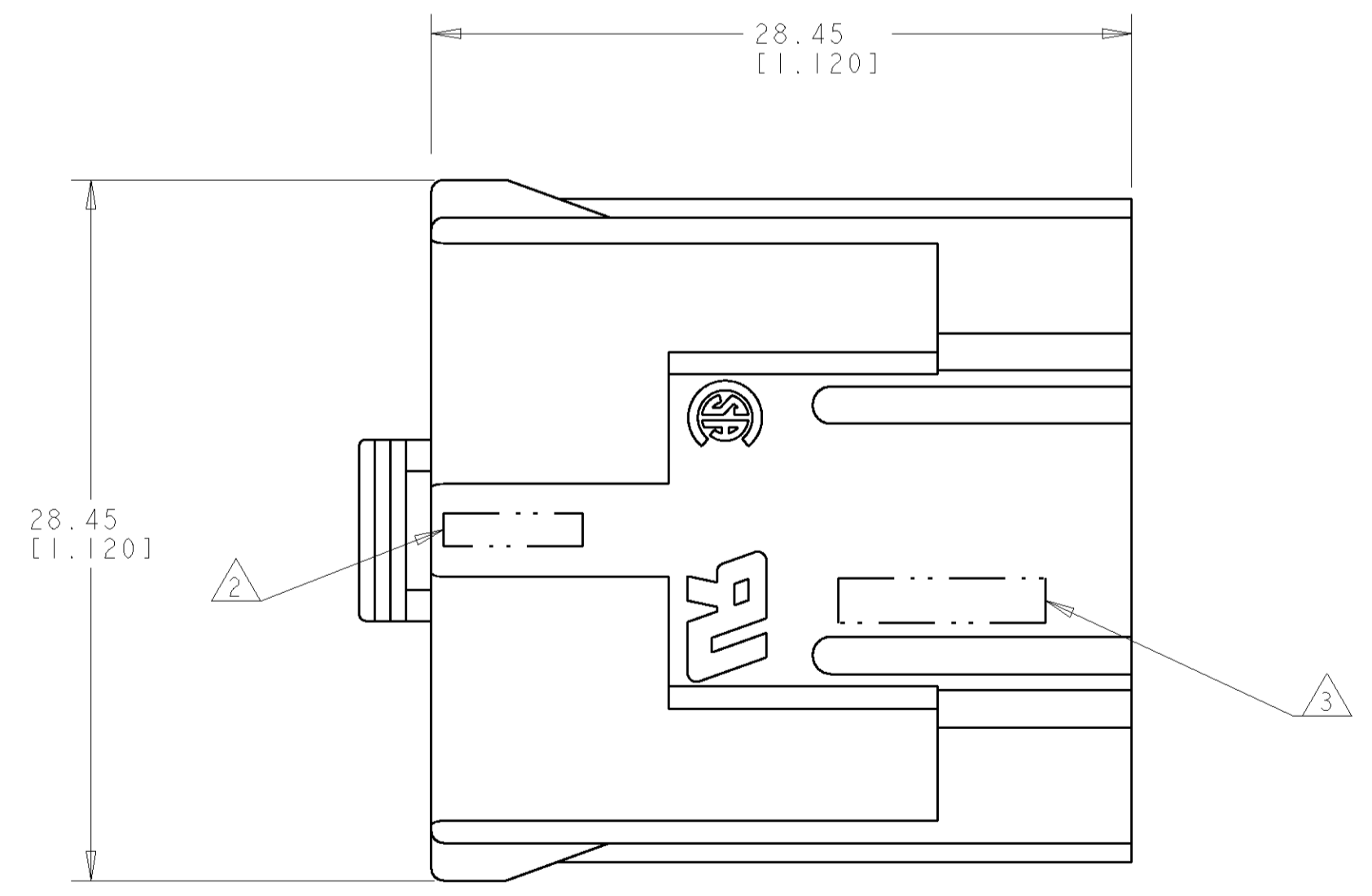
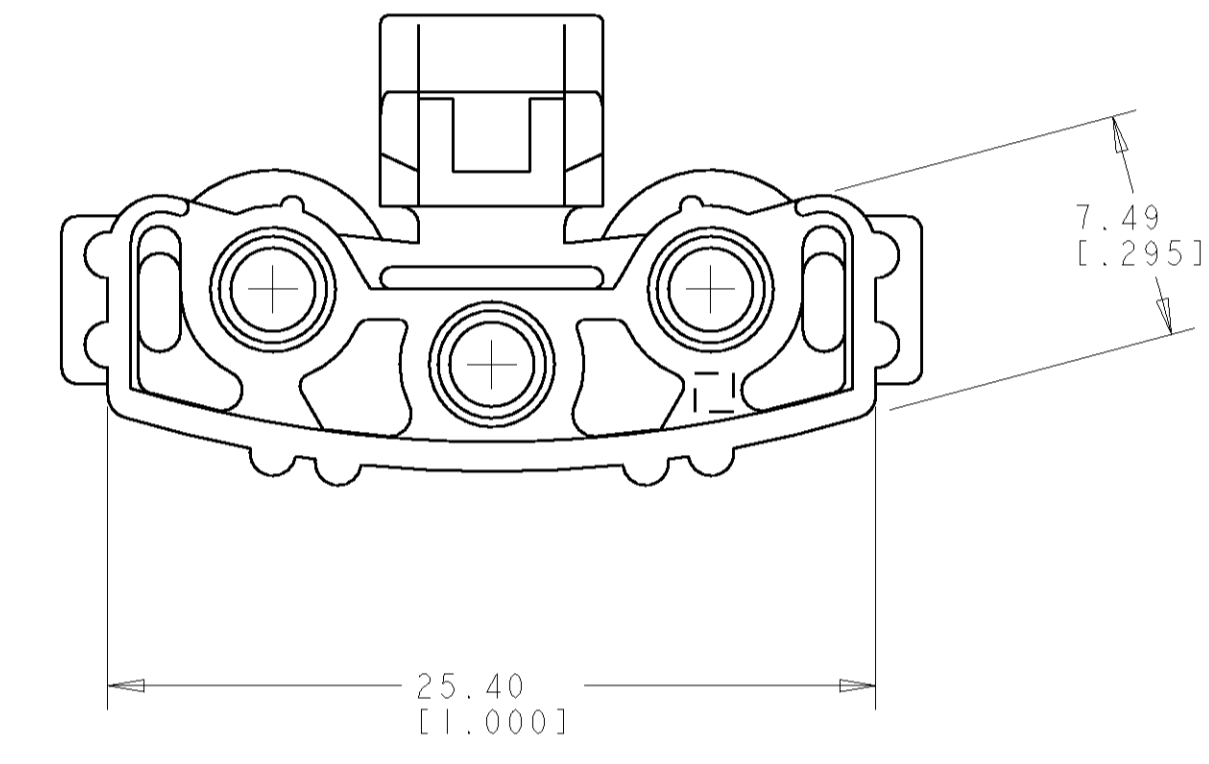
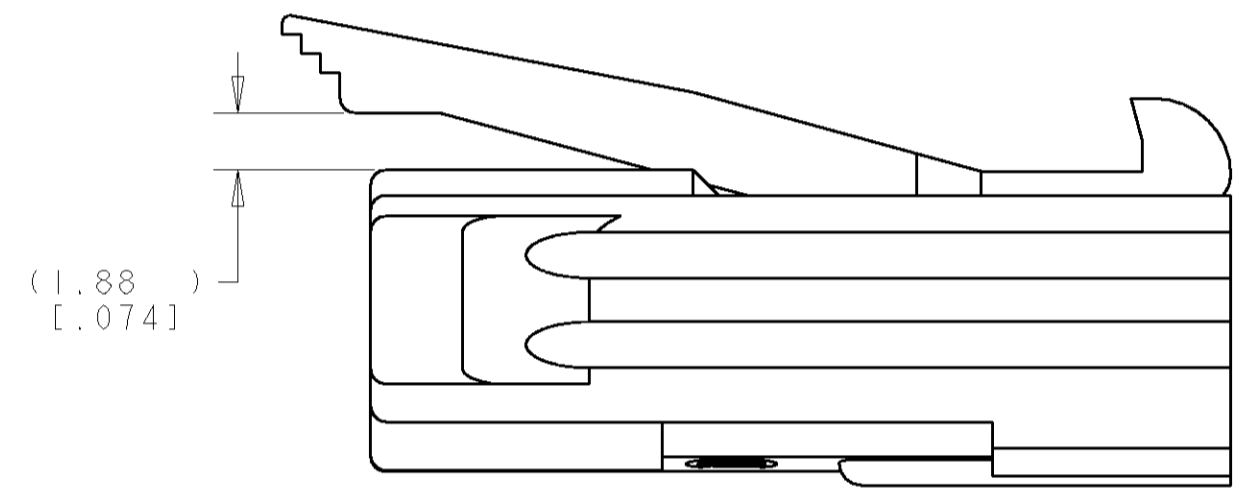
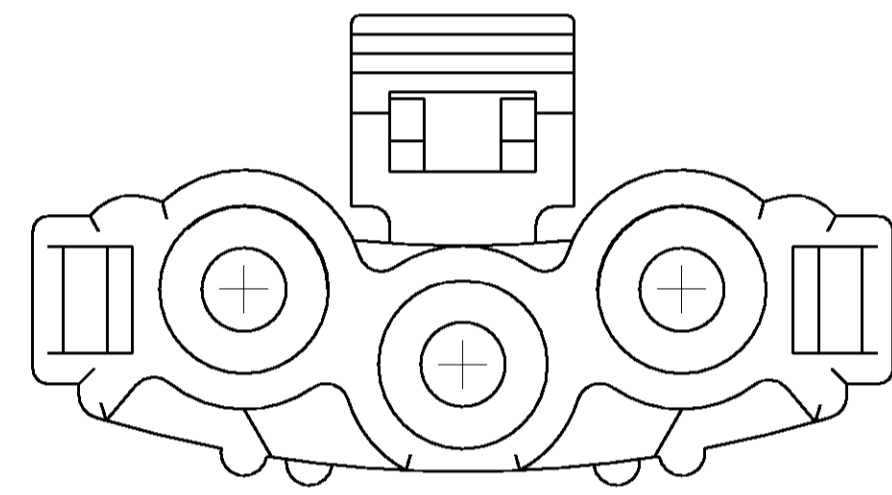


LOC		DIST		REVISIONS			
CM	00	P	LTR	DESCRIPTION	DATE	DWN	APVD
		H		REVISED PER 0638-0996-04	28OCT04	KW	SR



1. THE MATING CONNECTOR MUST BE BASED ON THE DESIGN SPECIFICATIONS ON THIS DRAWING TO ENSURE OPTIMUM MATING CONDITIONS.

- 2 TRADEMARK LOCATION (AMP OR TYCO).
- 3 MANUFACTURING LOCATION ID (OPTIONAL).



770855-1
PART NUMBER

METRIC

<small>THIS DRAWING IS UNPUBLISHED. RELEASED FOR PUBLICATION BY TYCO ELECTRONICS CORPORATION. IT IS THE POLICY OF TYCO ELECTRONICS CORPORATION TO PROTECT THE DESIGN AND INVENTION RIGHTS OF THE COMPANY AND ITS CUSTOMERS. NO PART OF THIS DRAWING IS TO BE REPRODUCED OR TRANSMITTED IN ANY FORM OR BY ANY MEANS, ELECTRONIC OR MECHANICAL, INCLUDING PHOTOCOPYING, RECORDING, OR BY ANY INFORMATION STORAGE AND RETRIEVAL SYSTEM, WITHOUT THE WRITTEN PERMISSION OF TYCO ELECTRONICS CORPORATION.</small>		DWN: R. WHITAKER 13NOV2003 CHK: S. RIDGILL 13NOV2003 APVD: S. RIDGILL 13NOV2003	tyco Electronics Tyco Electronics Harrisburg, PA 17105-3608
DIMENSIONS: mm [INCHES]	TOLERANCES UNLESS OTHERWISE SPECIFIED: 0 PLC ± 1 PLC ± 2 PLC ±0.13 [0.005] 3 PLC ± 4 PLC ± ANGLES ±30°	NAME: HOUSING, 3 POSITION, FAN MOTOR CONNECTOR, UNIVERSAL MATE-N-LOK™ PRODUCT SPEC: APPLICATION SPEC: WEIGHT: - FINISH: -	SIZE: A CAGE CODE: 00779 DRAWING NO: C=770855 RESTRICTED TO: H
MATERIAL: NYLON, UL94V-2 NATURAL		CUSTOMER DRAWING	SCALE: 4:1 SHEET: 1 OF 1 REV: H